

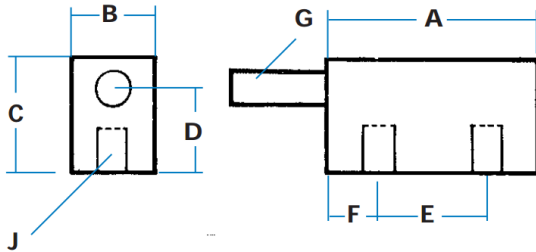
GF14 Stainless Steel Lift-Off Block Hinge

Features

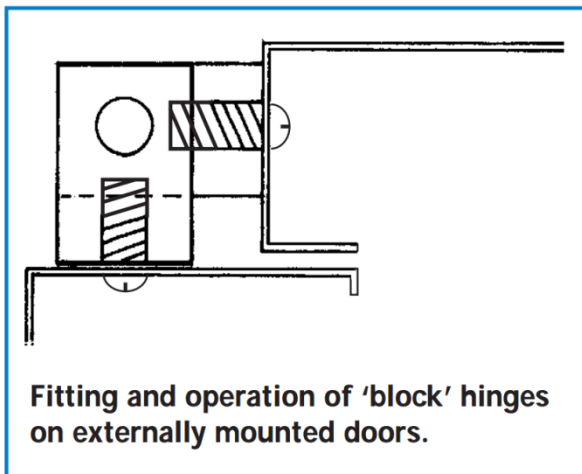
- These machined block hinges suit high-quality cabinets and enclosures, where stainless steel fittings are required to prevent problems with corrosion, staining and binding-up, which can occur in damp or chemically-active environments
- Produced in three standard sizes, the hinges have a ground satin finish and are lubricated with light oil for smooth action
- Bottom half of hinge contains a fixed stainless pin and is fitted to door frame. Top half is fitted to door edge and is lifted on (and off) pin. Movement is completely free.
- Plant-on fitting, with tapped holes in base

Material

- Stainless steel 303, satin finish



All corners have a radius and edges are chamfered.



GF14-G01289
(small, 60 mm)



Part No.	Size	A	B	C	D	E	F	G	H
GF14-G01289	60 mm	32	13	16	9.5	16	8	6	M5 x 6 mm
GF14-G01290	76 mm	38	13	19	13	19	9	6	M6 x 7.5 mm
GF14-G01291	100 mm	50	18	29	20	25	13	8	M8 x 13 mm